

KENWOOD

KRC-2007 KRC-1007

CASSETTE RECEIVER

INSTRUCTION MANUAL

RADIO-CASSETTE

MODE D'EMPLOI

RADIO CASETE

MANUAL DE INSTRUCCIONES

KENWOOD CORPORATION

Take the time to read through this instruction manual. Familiarity with installation and operation procedures will help you obtain the best performance from your new cassette receiver.

For your records

Record the serial number, found on the back of the unit, in the spaces designated on the warranty card, and in the space provided below. Refer to the model and serial numbers whenever you call upon your KENWOOD dealer for information or service on the product.

Model KRC-2007/1007 Serial number _____

Safety precautions

⚠WARNING

Take the following precautions to prevent fire and avoid personal injury:

- When extending the ignition cable, battery cable, or ground cable, use 0.75mm² (AWG18) or larger automotive grade cable to avoid cable deterioration or damage to the covering.
- Check that no metal objects (coins, tools, etc.) are left inside the unit to avoid short circuits.
- If you smell or see smoke, turn the power off immediately and consult your Kenwood dealer.
- To prevent fire when the ignition cable (Red) or battery cable (Yellow) is short-circuited by coming into contact with the vehicle chassis (ground), only connect the power supply after making the fuse box connections.

⚠CAUTION

Take the following precautions to keep the unit in proper working order.

- Be sure the unit is connected to a 12V DC power supply with a negative ground connection.
- Do not open the top or bottom cover.
- Do not install the unit in places it is exposed to direct sunlight, high heat or humidity, water may splash over it, or dust exists.
- If you need to replace the fuse, make sure the new fuse is of the same type and rating. Using a fuse of a different type or rating may damage your unit. The fuse rating is normally shown on the fuse and fuse box.
- If you need to replace the fuse, unplug the wiring harness before replacing the fuse to prevent short circuits.

- If the car ignition does not have an ACC position, the ignition cable must be connected to a power supply source that can be turned on and off with the ignition key. If the ignition cable, like the battery cable, is connected to a power supply that always provides voltage, the battery may go flat.
- Check that no unconnected cables or connectors are touching the car body. Do not remove caps from unconnected cables or connectors to prevent short circuits.
- After installation, check that the brake lamps, wipers, and wipers work properly.
- Insulate unconnected ends of cords with vinyl tape or similar.

FCC WARNING

- This equipment may generate or use radio frequency energy. Changes or modifications to this equipment may cause harmful interference unless the modifications are expressly approved in the instruction manual. The user could lose the authority to operate this equipment if an unauthorized change or modification is made.

Care and Maintenance

NOTE

- If you have difficulty in installing this unit in your vehicle, contact your Kenwood dealer.

Cleaning the unit

- If the front panel is dirty, wipe it clean with a silicon cloth or soft dry cloth with the power off.

2 CAUTION

Do not use hard cloths or paint thinner, alcohol, or other volatile solvents. These may damage external surfaces or remove indicator characters.

Cleaning the tape head

- As you play tapes for a long time, magnetic dust and other grime accumulates around the heads and eventually causes noise that lowers sound quality. To clean the heads, use a cleaning tape or cleaning kit. Make sure you purchase a cleaning tape or cleaning kit suited to car audio use.

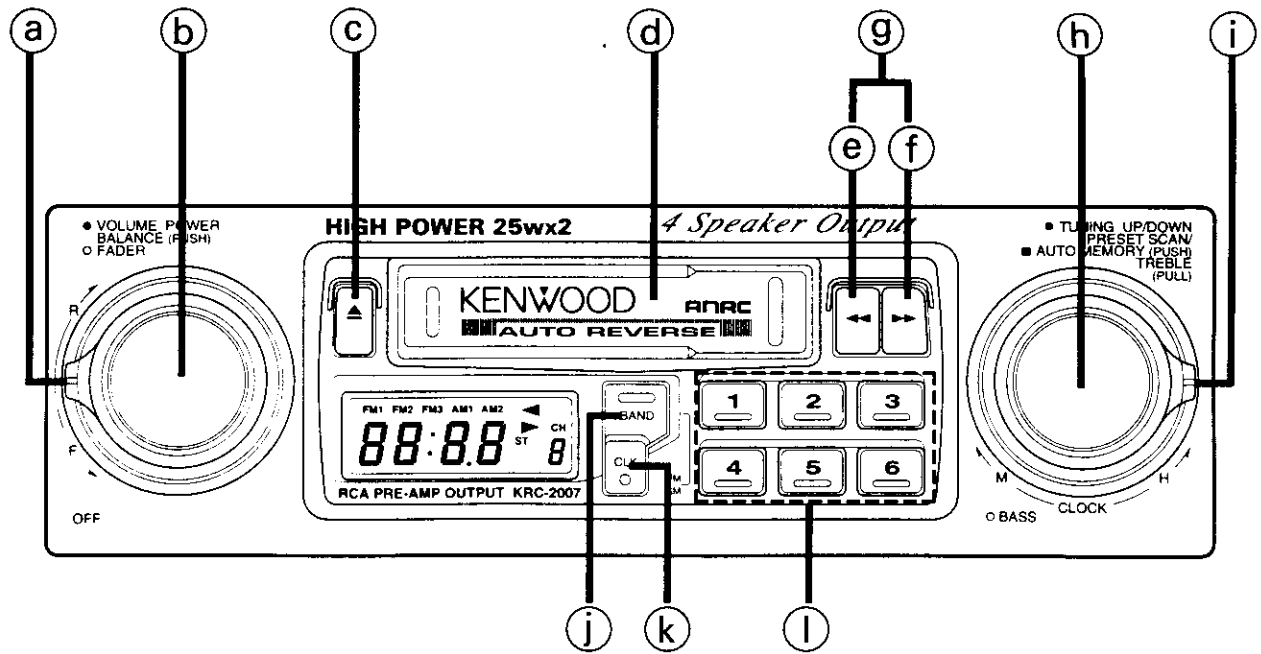
Be careful with your tapes.

- Before loading a cassette, take up any slack tape, by turning one of the spools with a pencil. Loading a slack tape can cause tape to tangle around the capstan and pinch roller and other problems.
- Do not use any deformed cassettes or cassettes with labels coming off, or the unit may fail.
- Do not leave cassettes exposed to high heat (for example, on the dashboard where it is exposed to direct sunlight, or near heater outlets). This can deform the cassette shell.
- Avoid long cassettes, such as 100-minute tapes. The tape is thin and easily tangled around the pinch roller or other parts.
- If you do not listen to your tape, remove it from the unit and store it safely. If a cassette is left in for a long time, the tape can stick to the tape head, causing failure.

NOTE

A strange noise may be heard when a tape is played in reverse but this is not a malfunction.

Operations (KRC-2007)



Common functions

Power ON/OFF

Turn the **(d)** knob to the right to turn the power ON. Turn the **(d)** knob all the way to the left, to turn the power OFF.

Volume

Turn the **(a)** knob to adjust the volume.

Balance

Simultaneously press and turn the **(b)** knob to adjust the left/right balance.

Fader

When four speakers are connected, turn the **(c)** knob to adjust the fader effect of the front and rear speakers.

Treble

Simultaneously pull and turn the **(h)** knob to adjust the treble setting.

Bass

Turn the **(i)** knob to adjust the bass setting.

Clock display

The time can be displayed by pressing the **(k)** CLK button while the radio is receiving. To switch back to the frequency display, press the **(k)** CLK button again, or operate the tuner. (Operating the tape player will not switch off the time display.)

Setting the clock

To set the time, first display the clock, then press the **(k)** CLK button and turn the **(h)** knob to the left to set the hours and to the right to set the minutes.

Tuner mode

Band select

Each time the **(j)** BAND button is pressed, the reception band switches from FM1 → FM2 → FM3 → AM1 → AM2. (The selected band is shown on the display.)

The ST indicator lights if a stereo broadcast is received.

Manual tuning

The frequency increases one step each time the **(h)** knob is turned to the right.

The frequency decreases one step each time the **(h)** knob is turned to the left.

Auto seek tuning

Turn the **(h)** knob to the right for two seconds or more to activate Auto Seek Tuning toward the higher frequencies. Auto Seek Tuning will then automatically seek and receive the next available higher frequency station.

Turn the **(h)** knob to the left for two seconds or more to activate Auto Seek Tuning toward the lower frequencies. Auto Seek Tuning will then automatically seek and receive the next available lower frequency station.

Station preset memory

1. The desired frequencies and stations are received.
2. If any **(i)** button from 1 to 6 is pressed more than two seconds, the button number will be displayed on the display and the station will be stored in memory. A total of six stations can be stored in memory for each reception band.

Auto memory

1. Select the band to be stored to memory.
2. Press the **(h)** knob for two seconds or more to activate Auto Memory. Up to six currently receivable stations can be stored to memory under the **(i)** buttons 1 ~ 6.

Preset scan

1. Select the band to be scanned.
2. The stations stored to memory under the **(i)** buttons 1 ~ 6 can be received for five seconds each by pressing the **(h)** knob. To select and listen to any of the stations, press the **(h)** knob again while receiving that station.

Tape mode

To play a cassette

Set the side of the cassette where the tape can be seen on the right side, insert it in the cassette door **(d)** and the tape playback will start.

To fast-forward/rewind

Press the **(f)** **(▶▶)** button or **(e)** **(◀◀)** button to activate Fast Forward/Rewind.

- When the end of a tape is reached in Fast Forward, the reverse side of the tape will be played automatically. Press the **(g)** button to stop Fast Forward.
- When the beginning of a tape is reached in Rewind, replay will start automatically. Press the **(g)** button to stop Rewind.

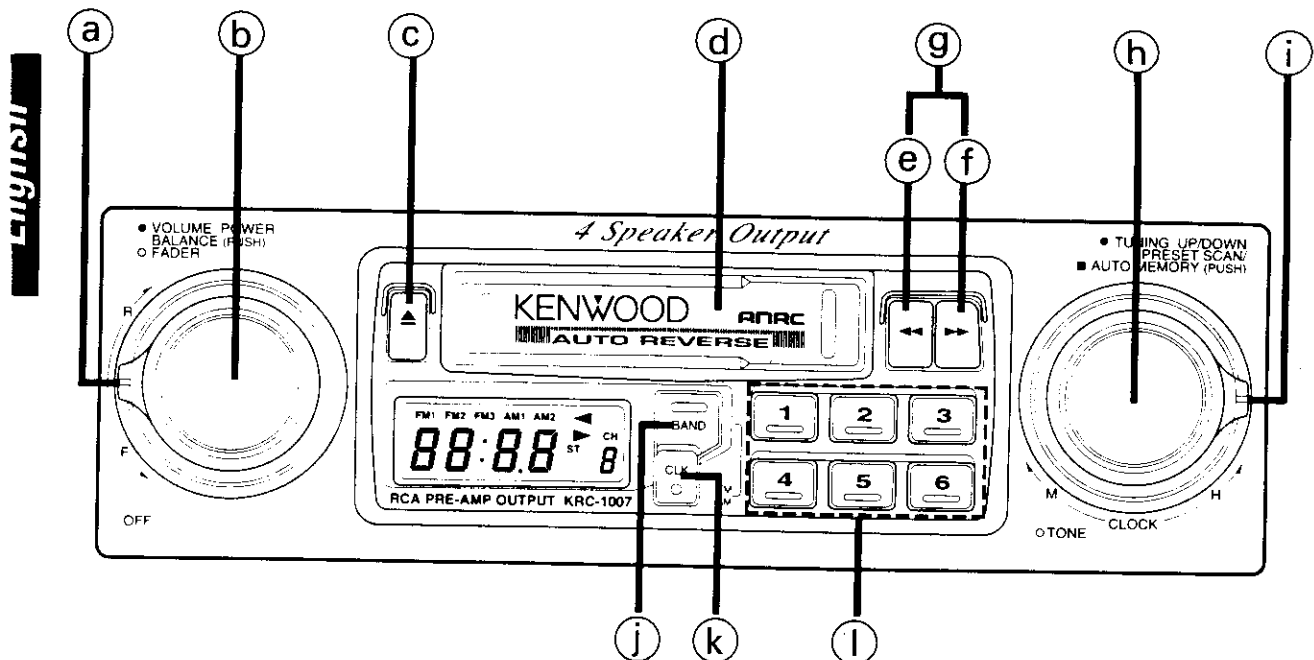
To change sides

Press the **(g)** button during tape playback to reverse the playback.

To eject

Press the **(c)** **(▲)** button to eject the tape cassette.

Operations (KRC-1007)



Common functions

Power ON/OFF

Turn the **b** knob to the right to turn the power ON. Turn the **b** knob all the way to the left, to turn the power OFF.

Volume

Turn the **b** knob to adjust the volume.

Balance

Simultaneously press and turn the **b** knob to adjust the left/right balance.

Fader

When four speakers are connected, turn the **a** knob to adjust the fader effect of the front and rear speakers.

Tone control

Turn the **j** knob to adjust the tone.

Clock display

The time can be displayed by pressing the **k** CLK button while the radio is receiving. To switch back to the frequency display, press the **k** CLK button again, or operate the tuner. (Operating the tape player will not switch off the time display.)

Setting the clock

To set the time, first display the clock, then press the **k** CLK button and turn the **h** knob to the left to set the hours and to the right to set the minutes.

Tuner mode

Band select

Each time the **BAND** button is pressed, the reception band switches from FM1 → FM2 → FM3 → AM1 → AM2. (The selected band is shown on the display.)
The ST indicator lights if a stereo broadcast is received.

Manual tuning

The frequency increases one step each time the **+** knob is turned to the right.
The frequency decreases one step each time the **-** knob is turned to the left.

Auto seek tuning

Turn the **+** knob to the right for two seconds or more to activate Auto Seek Tuning toward the higher frequencies. Auto Seek Tuning will then automatically seek and receive the next available higher frequency station.

Turn the **-** knob to the left for two seconds or more to activate Auto Seek Tuning toward the lower frequencies. Auto Seek Tuning will then automatically seek and receive the next available lower frequency station.

Station preset memory

1. The desired frequencies and stations are received.
2. If any **P** button from 1 to 6 is pressed more than two seconds, the button number will be displayed on the display and the station will be stored in memory. A total of six stations can be stored in memory for each reception band.

Auto memory

1. Select the band to be stored to memory.
2. Press the **+** knob for two seconds or more to activate Auto Memory. Up to six currently receivable stations can be stored to memory under the **P** buttons 1 ~ 6.

Preset scan

1. Select the band to be scanned.
2. The stations stored to memory under the **P** buttons 1 ~ 6 can be received for five seconds each by pressing the **+** knob. To select and listen to any of the stations, press the **+** knob again while receiving that station.

Tape mode

To play a cassette

Set the side of the cassette where the tape can be seen on the right side, insert it in the cassette door **ⓐ** and the tape playback will start.

To fast-forward/rewind

Press the **FF** button or **REW** button to activate Fast Forward/Rewind.

- When the end of a tape is reached in Fast Forward, the reverse side of the tape will be played automatically. Press the **STOP** button to stop Fast Forward.
- When the beginning of a tape is reached in Rewind, replay will start automatically. Press the **STOP** button to stop Rewind.

To change sides

Press the **STOP** button during tape playback to reverse the playback.

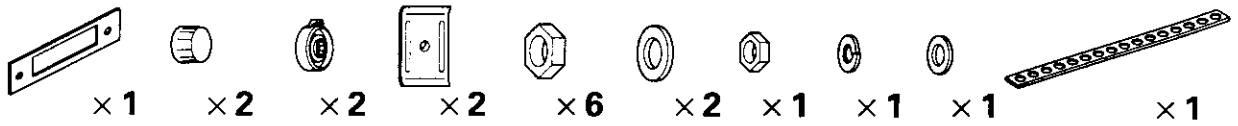
To eject

Press the **EJECT** button to eject the tape cassette.

Installations

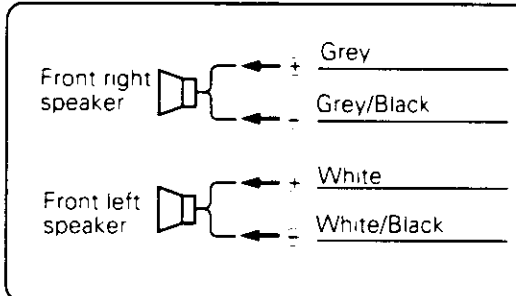
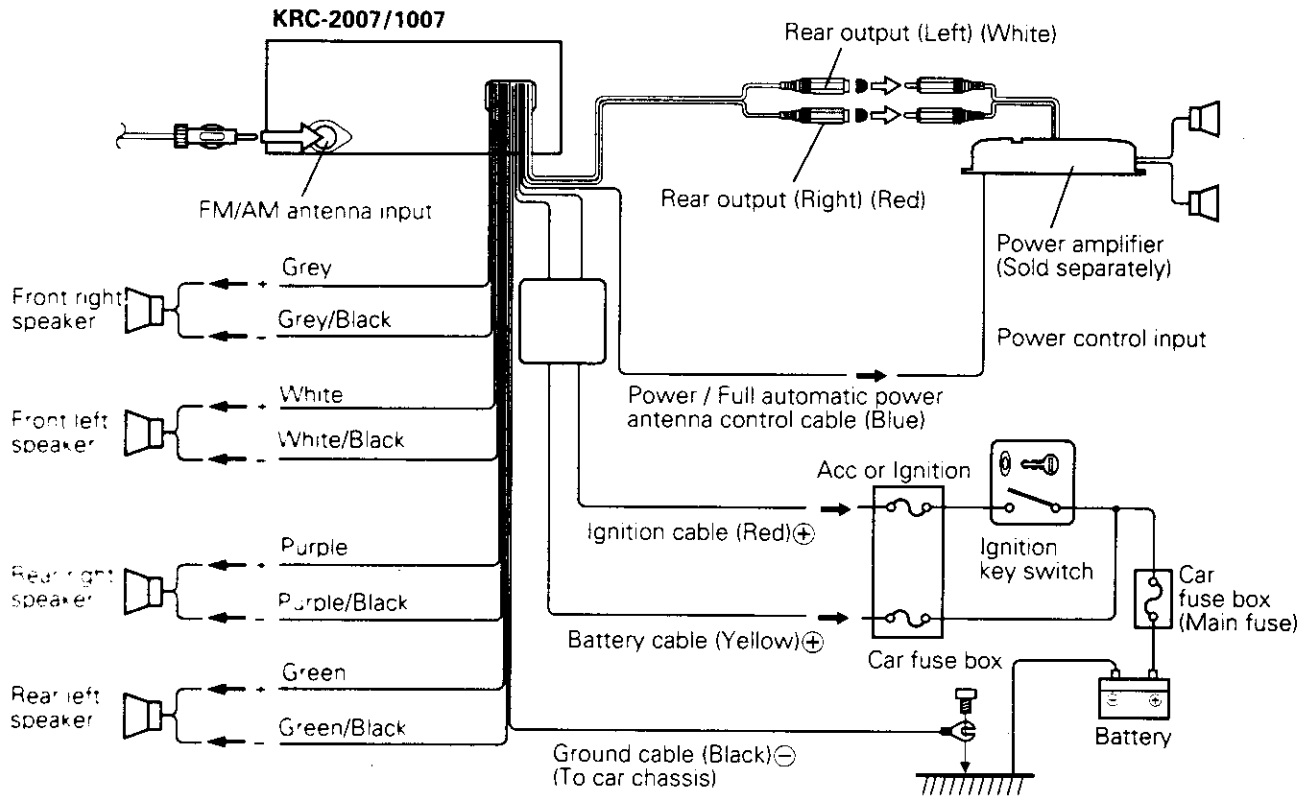
English

Accessories



Connection

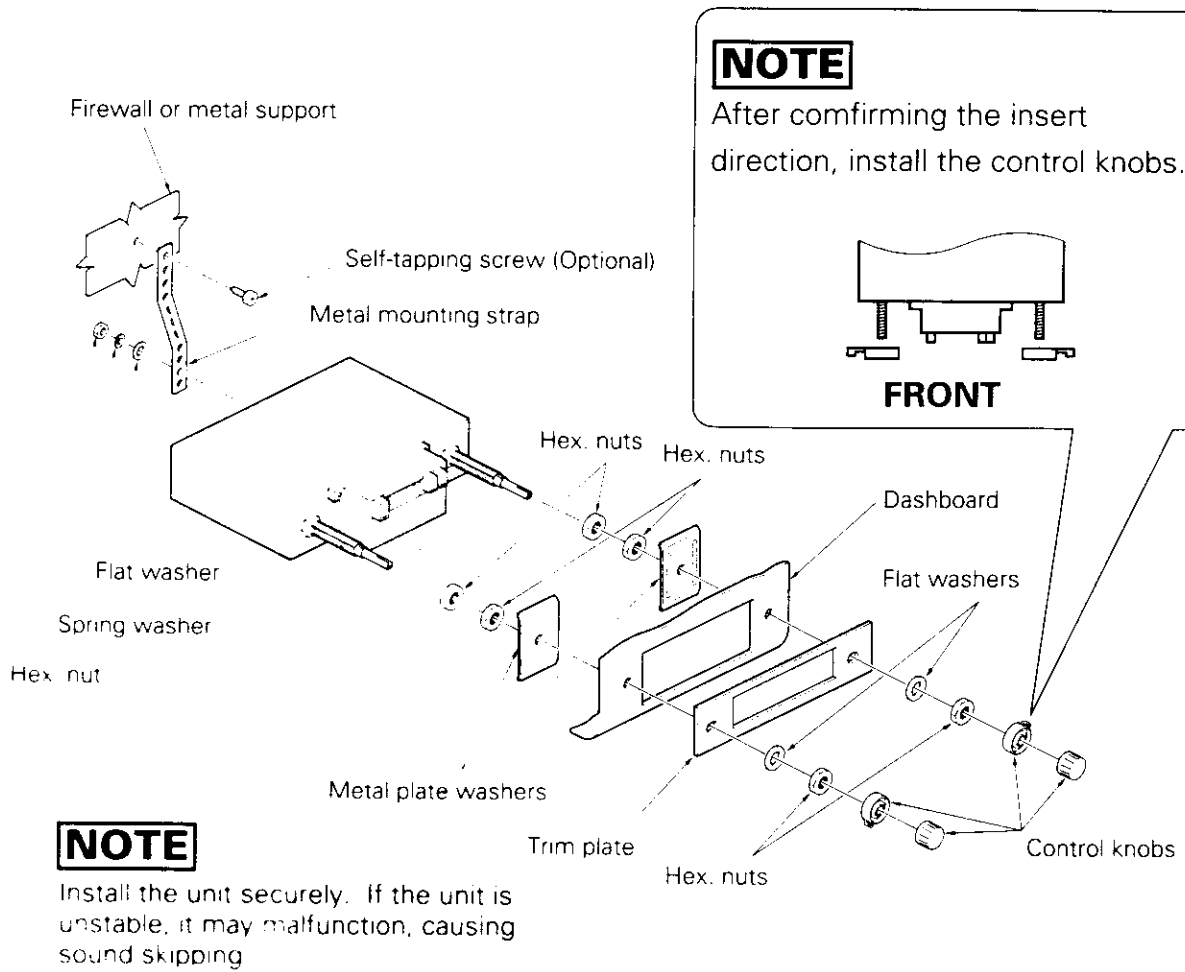
1. Remove the ignition key and disconnect the negative (-) terminal of the battery to prevent short circuits.
2. Connect the input and output cables of the units.
3. Connect the speaker cables of the wiring harness.
4. Connect the ground cable, battery cable, and ignition cable of the wiring harness in the order listed.
5. Install the unit in the car.
6. Connect the negative (-) terminal of the battery.



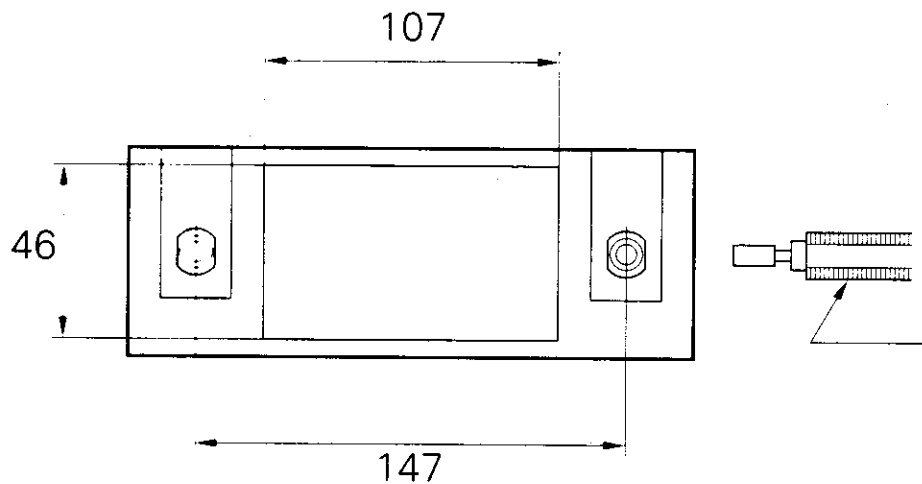
CAUTION

When only two speakers are being connected to the system, connect the connectors either to both the front output terminals or to both the rear output terminals (do not mix front and rear). For example, if you connect the ⊕ connector of the speaker to a front output terminal, do not connect the ⊖ connector to a rear output terminal.

Installation



The distance between the right and left shafts is adjusted to 147 mm.



Specifications

FM Tuner Section

Frequency Range (200 kHz space)	87.5 MHz ~ 107.9 MHz
(100 kHz space)	87.5 MHz ~ 108.0 MHz
Usable Sensitivity	13.2 dBf (1.3 μ V/75 Ω)
Quieting Sensitivity (S/N : 30 dB)	15.2 dBf (1.6 μ V/75 Ω)
Frequency Response (\pm 3.0 dB)	30 Hz ~ 15 kHz
Signal to Noise Ratio	70 dB (MONO)
Selectivity	70 dB
Image Response Ratio	70 dB
IF Response Ratio	120 dB
Stereo Separation (1 kHz)	38 dB

AM Tuner Section

Frequency Range (10 kHz space)	530 kHz ~ 1710 kHz
(9 kHz space)	531 kHz ~ 1602 kHz
Usable Sensitivity (S/N : 20 dB)	28 dB μ

Cassette Deck Section

Tape Speed	4.76 cm/sec.
Wow & Flutter (WRMS)	0.12 %
Frequency Response (\pm 3.0 dB)	30 Hz ~ 14 kHz (120 μ s)
Separation (1 kHz)	43 dB
Signal to Noise Ratio	54 dB

Audio Section

Maximum Power (KRC-1007)	8 W \times 2 or 6 W \times 4
(KRC-2007)	25 W \times 2 or 15 W \times 4
Full Bandwidth Power (at less than 1%THD) (KRC-1007)	5 W \times 2
(KRC-2007)	15 W \times 2
Tone Action (KRC-2007)	Bass: 100 Hz \pm 10 dB Treble: 10 kHz \pm 10 dB
Preout Level / Load	1000 mV / 10 k Ω
Preout Impedance	\leq 600 Ω

General

Operating Voltage	14.4 V (11 ~ 16 V allowable)
Current Consumption (KRC-1007)	4.0 A at Rated Power
(KRC-2007)	6.0 A at Rated Power
Installation Size (W x H x D)	180 x 50 x 135 mm (7-1/16 x 1-15/16 x 5-5/16 in.)
Weight	1.3 kg (2.9 LBS)

Specifications subject to change without notice.